

2-Channel Enhanced High-Performance Digital Isolator

Features

- 150-Mbps Data Rate
- 5-kV RMS Isolation Rating (WSOP)
- ± 200 -kV/ μ s typ Static CMTI, ± 150 -kV/ μ s typ Dynamic CMTI
- Low Power Consumption, typ 3 mA/ch @1 Mbps
- Low Propagation Delay: 12 ns Typical
- Default Output Low (TPT772xF) and High (TPT772x)
- Wide Temperature Range: -40°C to $+125^{\circ}\text{C}$
- SOP8, WSOP8, and WSOP16 Packages
- Robust Electromagnetic Compatibility (EMC)
 - Low Emissions
 - System-Level ESD, EFT, and Surge Immunity
- Safety-Related Certifications:
 - VDE Certification according to DIN VDE V 0884-17(IEC60747-17)
 - 5000- V_{RMS} (WSOP16, WSOP8), 3750- V_{RMS} (SOP8) Isolation Rating per UL 1577
 - CQC Certification per GB 4943.1
 - CSA, TUV, and CB Certifications

Applications

- Industrial Automation
- Motor Control
- Power Supplies
- Isolated Interface and General-Purpose Isolation

Description

The TPT772x devices are high-performance, dual-channel enhanced digital isolators with 5000- V_{RMS} (WSOP8, WSOP16), and 3750- V_{RMS} (SOP8) isolation ratings per UL 1577. These devices have also been certified by VDE, UL, CSA, TUV, CQC, and CB.

The TPT772x devices provide high reliability and high performance at low power consumption with isolating digital input and output. Each isolation signal channel is separated by a double capacitive silicon dioxide insulation barrier. The TPT7720 device has both channels in the same direction while the TPT7721 devices have both channels in the opposite direction. In the event of input power or signal loss, the fail-safe default output is low for devices with the suffix F and high for devices without the suffix F.

The common mode transient immunity (CMTI) and electromagnetic compatibility of the TPT772x devices have been significantly enhanced through innovative circuit design and optimized structure.

The TPT772x family is available in SOP8, WSOP8, and WSOP16 packages, and is characterized from -40°C to $+125^{\circ}\text{C}$.

Functional Block Diagram

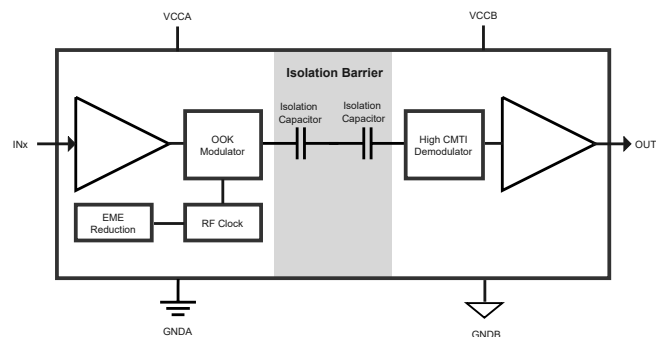


Table of Contents

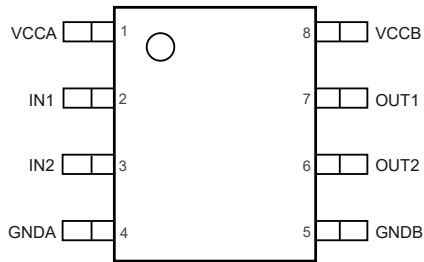
Features	1
Applications	1
Description	1
Functional Block Diagram	1
Revision History	3
Pin Configuration and Functions	4
Specifications	6
Absolute Maximum Ratings ⁽¹⁾	6
ESD, Electrostatic Discharge Protection.....	6
Recommended Operating Conditions.....	6
Thermal Information.....	7
Insulation Specifications.....	7
Safety-Related Certifications.....	9
Safety Limiting Values.....	10
Electrical Characteristics.....	11
Timing Specifications – 5-V Supply.....	12
Supply Current Characteristics – 5-V Supply.....	13
Timing Specifications – 3.3-V Supply.....	14
Supply Current Characteristics – 3.3-V Supply.....	15
Timing Specifications – 2.5-V Supply.....	16
Supply Current Characteristics – 2.5-V Supply.....	17
Test Circuits and Waveforms.....	18
Detailed Description	20
Overview.....	20
Functional Block Diagram.....	20
Feature Description.....	21
Application and Implementation	22
Typical Application.....	22
Tape and Reel Information	23
Package Outline Dimensions	25
SOP8.....	25
WSOP8.....	26
WSOP16.....	27
Order Information	28
IMPORTANT NOTICE AND DISCLAIMER	29

Revision History

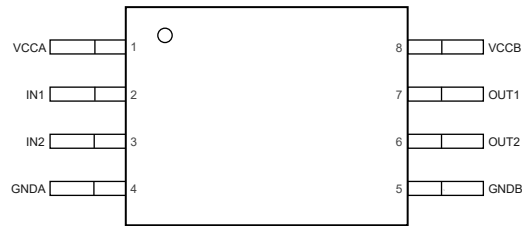
Date	Revision	Notes
2020-05-05	Rev.Pre.0	Initial Version
2021-03-05	Rev.A.0	Released version
2021-12-30	Rev.A.1	Updated Safety-Related Certifications
2022-07-04	Rev.B.0	Added WSOP8 package information, updated isolation specification
2022-08-17	Rev.B.1	Updated tape and reel information
2022-09-17	Rev.B.2	Added WSOP16 package information
2022-10-17	Rev.B.3	Updated order information
2023-05-10	Rev.B.4	Updated new format
2023-08-15	Rev.B.5	Updated supply current characteristics

Pin Configuration and Functions

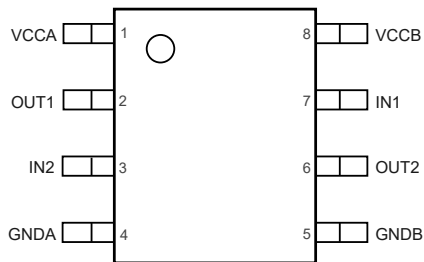
TPT7720
SOP8
Top View



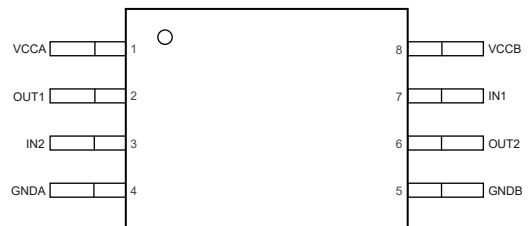
TPT7720
WSOP8
Top View



TPT7721
SOP8
Top View

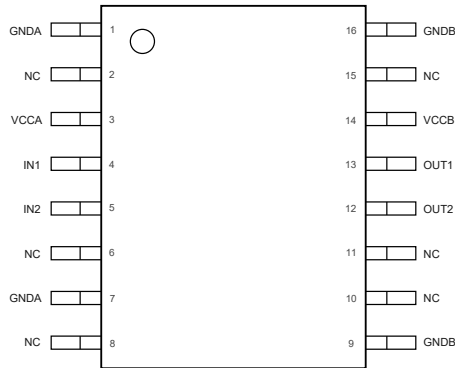


TPT7721
WSOP8
Top View



2-Channel Enhanced High-Performance Digital Isolator

TPT7720
WSOP16
Top View



TPT7721
WSOP16
Top View

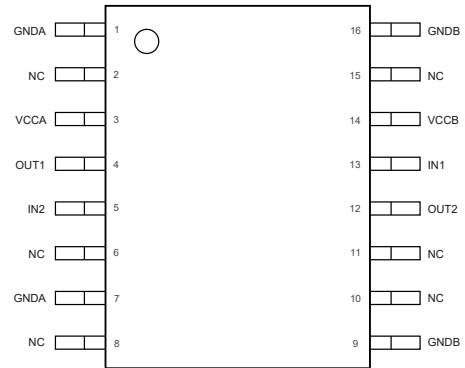


Table 1. Pin Functions: TPT772x

Pin				Name	I/O	Description
SOP8, WSOP8		WSOP16				
TPT7720	TPT7721	TPT7720	TPT7721			
1	1	3	3	VCCA	-	Power supply, VCCA
2	7	4	13	IN1	I	Input, channel 1
3	3	5	5	IN2	I	Input, channel 2
4	4	1, 7	1, 7	GND A	-	Ground connection for VCCA
5	5	9, 16	9, 16	GND B	-	Ground connection for VCCB
6	6	12	12	OUT2	O	Output, channel 2
7	2	13	4	OUT1	O	Output, channel 1
8	8	14	14	VCCB	-	Power supply, VCCB
-	-	2, 6, 8, 10, 11, 15	2, 6, 8, 10, 11, 15	NC	-	No Connect

Specifications

Absolute Maximum Ratings ⁽¹⁾

Parameter		Min	Max	Unit
V _{CC}	Supply Voltage, V _{CCA} , V _{CCB}	-0.5	6	V
V _{IO}	Voltage at IN1, IN2, OUT1, OUT2	-0.5	V _{CC} + 0.5	V
I _O	Output Current	-15	15	mA
T _J	Operating Virtual Junction Temperature	-	150	°C
T _{stg}	Storage Temperature	-65	150	°C

(1) Stresses beyond those listed under Absolute Maximum Ratings may cause permanent damage to the device. Exposure to any Absolute Maximum Rating condition for extended periods may affect device reliability and lifetime.

ESD, Electrostatic Discharge Protection

Parameter	Condition	Value	Unit
HBM, per ANSI/ESDA/JEDEC JS-001/ANSI/ESD STM5.5.1 ⁽¹⁾	All Pin	±8	kV
CDM, per ANSI/ESDA/JEDEC JS-002 ⁽²⁾	All Pin	±2	kV
Latch up, per JESD78	All Pin	±600	mA

(1) JEDEC document JEP155 states that 500-V HBM allows safe manufacturing with a standard ESD control process.

(2) JEDEC document JEP157 states that 250-V CDM allows safe manufacturing with a standard ESD control process.

Recommended Operating Conditions

Parameter		Min	Typ	Max	Unit	
V _{CCX}	Supply Voltage, V _{CCA} , V _{CCB} ⁽¹⁾	2.25	-	5.5	V	
V _{CC(UVLO+)}	UVLO threshold when supply voltage is rising ⁽²⁾	-	2	2.25	V	
V _{CC(UVLO-)}	UVLO threshold when supply voltage is falling ⁽²⁾	1.7	1.85	-	V	
V _{HYS(UVLO)}	Supply Voltage UVLO Hysteresis	60	150	-	mV	
I _{OH}	High-Level Output Current	V _{CCB} = 5 V	-4	-	-	mA
		V _{CCB} = 3.3 V	-2	-	-	mA
		V _{CCB} = 2.5 V	-1	-	-	mA
I _{OL}	High-Level Output Current	V _{CCB} = 5 V	-	-	4	mA
		V _{CCB} = 3.3 V	-	-	2	mA
		V _{CCB} = 2.5 V	-	-	1	mA
V _{IH}	High-Level Input Voltage (data input)	2	-	V _{CC}	V	
V _{IL}	Low-Level Input Voltage (data input)	0	-	0.8	V	
f _{data}	Data Rate ⁽³⁾	0	-	150	Mbps	
T _A	Operating Ambient Temperature	-40	25	125	°C	

(1) V_{CCA} is input side V_{CC}; V_{CCB} is output side V_{CC};

2-Channel Enhanced High-Performance Digital Isolator

- (2) $V_{CC(UVLO+)}$, $V_{CC(UVLO)}$, $V_{HYS(UVLO)}$ are same to V_{CCA} and V_{CCB} ;
 (3) 150 Mbps is the maximum specified data rate, although higher data rates are possible.

Thermal Information

Package Type	θ_{JA}	θ_{JC}	Unit
SOP8	130	48	°C/W
WSOP8	85	43	°C/W
WSOP16	93	52	°C/W

Insulation Specifications

Parameter		Conditions	Value			Unit
			SOP8	WSOP8	WSOP16	
CLR	External clearance	Shortest terminal-to-terminal distance through air	> 4.0	> 8.0	> 8.0	mm
CPG	External creepage	Shortest terminal-to-terminal distance across the package surface	> 4.0	> 8.0	> 8.0	mm
DTI	Distance through the insulation	Minimum internal gap (internal clearance)	> 22	> 22	> 22	μm
DTC	Distance through the Molding compound	Minimum internal distance across the conductors inside the package	0.45	0.8	0.8	mm
CTI	Comparative tracking index		> 600	> 600	> 600	V
	Material group		I	I	I	
	Over-voltage category	For Rated Mains Voltage ≤ 150 V _{RMS}	I-IV	I-IV	I-IV	
		For Rated Mains Voltage ≤ 300 V _{RMS}	I-III	I-IV	I-IV	
		For Rated Mains Voltage ≤ 600 V _{RMS}	I-II	I-IV	I-IV	
		For Rated Mains Voltage ≤ 1000 V _{RMS}	I	I-III	I-III	
	Climatic category		40/125/21	40/125/21	40/125/21	
	Pollution degree		2	2	2	
DIN V VDE V 0884-17 (1)(2)						
V _{IORM}	Maximum repetitive isolation voltage	AC voltage	637	1414	1414	V _{PK}
V _{IOWM}	Maximum working isolation voltage	AC voltage; TDDb Test	450	1000	1000	V _{RMS}
		DC voltage	637	1414	1414	V _{DC}
V _{IOTM}	Maximum transient isolation voltage	V _{TEST} = V _{IOTM} , t = 60 s (qualification); V _{TEST} = 1.2 × V _{IOTM} , t = 1 s (100% production)	5300	7070	7070	V _{PK}
V _{IOSM}	Maximum surge isolation voltage ⁽³⁾	Test method per IEC 62368-1, 1.2/50 μs waveform, V _{TEST} = 1.3 × V _{IOSM} (qualification)	5980	6500	6500	V _{PK}

2-Channel Enhanced High-Performance Digital Isolator

Parameter		Conditions	Value			Unit
			SOP8	WSOP8	WSOP16	
Q _{pd}	Apparent charge	Method a, After Input/Output safety test subgroup 2/3, V _{ini} = V _{IOTM} , t _{ini} = 60 s; V _{pd(m)} = 1.2 × V _{IORM} , t _m = 10 s	≤ 5	≤ 5	≤ 5	pC
		Method a, After environmental tests subgroup 1, V _{ini} = V _{IOTM} , t _{ini} = 60 s; V _{pd(m)} = 1.6 × V _{IORM} , t _m = 10 s	≤ 5	≤ 5	≤ 5	
		Method b1; At routine test (100% production) and preconditioning (type test), V _{ini} = 1.2 × V _{IOTM} , t _{ini} = 1 s; V _{pd(m)} = 1.875 × V _{IORM} , t _m = 1 s	≤ 5	≤ 5	≤ 5	
C _{IO}	Isolation capacitance	V _{IO} = 0.4 × sin (2πft), f = 1 MHz	~0.5	~0.5	~0.5	pF
R _{IO}	Isolation resistance	V _{IO} = 500 V, T A= 25°C	> 10 ¹²	> 10 ¹²	> 10 ¹²	Ω
		V _{IO} = 500 V, 100°C ≤ T A ≤ 125°C	> 10 ¹¹	> 10 ¹¹	> 10 ¹¹	Ω
		V _{IO} = 500 V at T S= 150°C	> 10 ⁹	> 10 ⁹	> 10 ⁹	Ω
UL 1577						
V _{ISO}	Withstanding isolation voltage	V _{TEST} = V _{ISO} , t = 60 s(qualification); V _{TEST} = 1.2 × V _{ISO} , t = 1 s (100% production)	3750	5000	5000	V _{RMS}

- (1) All pins on each side of the barrier are tied together creating a two-terminal device.
- (2) This coupler is suitable for safe electrical insulation only within the safety operating ratings. Compliance with the safety ratings shall be ensured by means of suitable protective circuits.
- (3) Testing must be carried out in oil.

2-Channel Enhanced High-Performance Digital Isolator
Safety-Related Certifications

VDE	UL	TUV	CQC	CSA	CB
Certified according to DIN VDE V 0884-17	Certified according to UL 1577 and CSA Component Acceptance Notice 5A	Certified according to EN IEC 62368-1 and EN IEC 61010-1	Certified according to GB 4943.1	Certified CSA C22.2 No. 62368-1 and CAN/CSA-C22.2 No. 60601-1	Certified according to EN IEC 62368-1
Basic insulation (WSOP) VIORM= 1414 VIOSM= 6500 (SOP) VIORM= 637 VIOSM= 5980	(WSOP)Single protection, 5000Vrms (SOP)Single protection, 3750Vrms	6400Vrms reinforced insulation (WSOP), 800Vrms maximum work voltage. 4000Vrms basic insulation (SOP), 400V rms maximum work voltage.	Reinforced insulation (WSOP), Altitude<=5000m, 800V rms maximum work voltage. Basic insulation (SOP), Altitude<=5000m, 400V rms maximum work voltage.	400Vrms basic insulation (SOP) and 600V rms reinforced insulation (WSOP) working voltage per CSA C22.2 No. 62368-1:19 3rd, IEC 62368-1:2018 Ed. 3(in pollution degree 2, material group I) 2 MOPP (Means of Patient Protection) insulation requirements for 250Vrms (WSOP) in CAN/CSA-C22.2 No. 60601-1:14, IEC 60601-1:2005 + AMD1:2012	Reinforced insulation (WSOP), Altitude<=5000m, 800V rms maximum work voltage. Basic insulation (SOP), Altitude<=5000m, 400V rms maximum work voltage.
Certificate No. 40054570	Report Reference E524241	Customer No. 2332359	Certificate No. CQC21001303701 CQC22001332218	Master contract: 302375	Ref. Certif. No. CN54369 CN56354

Safety Limiting Values

Parameter	Conditions ⁽¹⁾	Min	Typ	Max	Unit
Safety Supply Current	$R_{\theta JA} = 130^{\circ}\text{C/W}$, $V_I = 5\text{ V}$, $T_J = 150^{\circ}\text{C}$, $T_A = 25^{\circ}\text{C}$ (SOP8)	-	-	192.3	mA
	$R_{\theta JA} = 85^{\circ}\text{C/W}$, $V_I = 5\text{ V}$, $T_J = 150^{\circ}\text{C}$, $T_A = 25^{\circ}\text{C}$ (WSOP8)	-	-	294.1	
	$R_{\theta JA} = 93^{\circ}\text{C/W}$, $V_I = 5\text{ V}$, $T_J = 150^{\circ}\text{C}$, $T_A = 25^{\circ}\text{C}$ (WSOP16)	-	-	268.8	
Safety Total Power	$R_{\theta JA} = 130^{\circ}\text{C/W}$, $T_J = 150^{\circ}\text{C}$, $T_A = 25^{\circ}\text{C}$ (SOP8)	-	-	961.5	mW
	$R_{\theta JA} = 85^{\circ}\text{C/W}$, $T_J = 150^{\circ}\text{C}$, $T_A = 25^{\circ}\text{C}$ (WSOP8)	-	-	1470.5	
	$R_{\theta JA} = 93^{\circ}\text{C/W}$, $T_J = 150^{\circ}\text{C}$, $T_A = 25^{\circ}\text{C}$ (WSOP16)	-	-	1344	
Maximum Safety Temperature	-	-	-	150	$^{\circ}\text{C}$

(1) The assumed junction-to-air thermal resistance in the Thermal Information is that of a device installed on a high-K test board for leaded surface-mount packages.

2-Channel Enhanced High-Performance Digital Isolator

Electrical Characteristics

All test condition is at $V_{CCA} = V_{CCB} = 2.25\text{ V to }5.5\text{ V}$, $T_A = -40^\circ\text{C to }+125^\circ\text{C}$, Typical value is in $V_{CC} = 3.3\text{ V}$, $T_A = +25^\circ\text{C}$, unless otherwise noted.

Parameter		Conditions	Min	Typ	Max	Unit
Input Electrical Specifications						
V_{IH}	Logic Input High Voltage	Input signal, IN1, IN2	2.0	-	-	V
V_{IL}	Logic Input Low Voltage	Input signal, IN1, IN2	-	-	0.8	V
V_{IT+}	Rising Input Threshold Voltage	Input signal, IN1, IN2	-	1.6	2	V
V_{IT-}	Falling Input Threshold Voltage	Input signal, IN1, IN2	0.8	1.2	-	V
V_{HYS}	Input Threshold Voltage Hysteresis		-	0.4	-	V
I_{IH}	High-Level Input Current	$V_{IH} = V_{CCA}$ at IN1, IN2 ⁽¹⁾	-	2.5	10	μA
I_{IL}	Low-Level Input Current	$V_{IL} = 0\text{ V}$ at IN1, IN2 ⁽¹⁾	-10	-2.5	-	μA
I_{OH}	High-Level Output Current	$V_{CCB} = 5\text{ V} \pm 10\%$	-4	-	-	mA
		$V_{CCB} = 3.3\text{ V} \pm 10\%$	-2	-	-	
		$V_{CCB} = 2.5\text{ V} \pm 10\%$	-1	-	-	
I_{OL}	Low-Level Output Current	$V_{CCB} = 5\text{ V} \pm 10\%$	-	-	4	mA
		$V_{CCB} = 3.3\text{ V} \pm 10\%$	-	-	2	
		$V_{CCB} = 2.5\text{ V} \pm 10\%$	-	-	1	
V_{OH}	High-Level Output Voltage	$V_{CCB} = 5\text{ V} \pm 10\%$, $I_{OH} = -4\text{ mA}$; Test OUT1, OUT2	$V_{CCB} - 0.4$	$V_{CCB} - 0.2$	-	V
		$V_{CCB} = 3.3\text{ V} \pm 10\%$, $I_{OH} = -2\text{ mA}$; Test OUT1, OUT2	$V_{CCB} - 0.3$	$V_{CCB} - 0.15$	-	
		$V_{CCB} = 2.5\text{ V} \pm 10\%$, $I_{OH} = -1\text{ mA}$; Test OUT1, OUT2	$V_{CCB} - 0.2$	$V_{CCB} - 0.1$	-	
V_{OL}	Low-Level Output Voltage	$V_{CCB} = 5\text{ V} \pm 10\%$, $I_{OL} = 4\text{ mA}$; Test OUT1, OUT2	-	0.2	0.4	V
		$V_{CCB} = 3.3\text{ V} \pm 10\%$, $I_{OL} = 2\text{ mA}$; Test OUT1, OUT2	-	0.15	0.3	
		$V_{CCB} = 2.5\text{ V} \pm 10\%$, $I_{OL} = 1\text{ mA}$; Test OUT1, OUT2	-	0.1	0.2	
CMTI	Common-Mode Transient Immunity	Static CMTI	150	200	-	$\text{kV}/\mu\text{s}$
		Dynamic CMTI	100	150	-	$\text{kV}/\mu\text{s}$
C_i	Input Capacitance ⁽¹⁾		-	2	-	pF

(1) Provided by bench test and design simulation

2-Channel Enhanced High-Performance Digital Isolator
Timing Specifications – 5-V Supply

All test condition is at $V_{CCA} = V_{CCB} = 5\text{ V} \pm 10\%$, $T_A = -40^\circ\text{C}$ to $+125^\circ\text{C}$. Typical value is in $V_{CC} = 5\text{ V}$, $T_A = +25^\circ\text{C}$, $C_L = 15\text{ pF}$ to GND, unless otherwise noted.

Parameter		Conditions	Min	Typ	Max	Unit
f_{DATA}	Translation Data Rate		-	-	150	Mpbs
t_{PLH}	Propagation Delay Time		-	11.5	22	ns
t_{PHL}	Propagation Delay Time		-	12	22	ns
PWD	Pulse Width Distortion ⁽¹⁾ $ t_{PHL} - t_{PLH} $		-	0.5	5	ns
$t_{sk(CC)}$	Channel-to-Channel Output Skew Time ⁽¹⁾⁽²⁾	Same direction channels	-	-	2.5	ns
$t_{sk(PP)}$	Channel-to-Channel Output Skew Time ⁽¹⁾⁽²⁾	Same direction channels	-	-	4.5	ns
t_r	Output Signal Rise Time ⁽¹⁾		-	0.7	4	ns
t_f	Output Signal Fall Time ⁽¹⁾		-	0.7	4	ns
Jitter	Eye Jitter p-p ⁽¹⁾	$f_{data} = 100\text{ Mbps}$	-	340	-	ps
t_{DO}	Default Output Delay Time from Input Power Loss	Measured from the time VCC goes below 1.7 V	-	30	80	ns
t_{SU}	Setup Time		-	28	80	us
t_{ie}	Time Interval Error ⁽¹⁾	$2^{16} - 1$ PRBS data at 100 Mbps ⁽¹⁾	-	2.4	-	ns

(1) Provided by bench test and design simulation.

(2) $t_{sk(CC)}$ & $t_{sk(PP)}$ is the skew of delay time between the different channels of a single device or different devices switching in the same direction while operating at identical supply voltages, temperature, input signals, and loads.

2-Channel Enhanced High-Performance Digital Isolator

Supply Current Characteristics – 5-V Supply

All test condition is at $V_{CCA} = V_{CCB} = 5\text{ V} \pm 10\%$, $T_A = -40^\circ\text{C}$ to $+125^\circ\text{C}$. Typical value is in $V_{CC} = 5\text{ V}$, $T_A = +25^\circ\text{C}$, $C_L = 15\text{ pF}$ to GND, unless otherwise noted.

Parameter	Description		Supply Current	Min	Typ	Max	Unit
TPT7720							
Supply current - DC signal	$V_I = 0\text{ V}$ (TPT7720F)		I_{CCA}	-	0.95	1.56	mA
	$V_I = V_{CCi}$ (TPT7720)		I_{CCB}	-	2.4	4.4	
	$V_I = V_{CCi}$ (TPT7720F)		I_{CCA}	-	8.2	10.95	
	$V_I = 0\text{ V}$ (TPT7720)		I_{CCB}	-	2.1	3.8	
Supply current - AC signal	All channels switching with square wave clock input; $C_L = 15\text{ pF}$	1 Mbps	I_{CCA}	-	4.4	5.9	
			I_{CCB}	-	2.4	4.3	
		10 Mbps	I_{CCA}	-	4.6	6.15	
			I_{CCB}	-	3.7	6.2	
		100 Mbps	I_{CCA}	-	6.3	8.4	
			I_{CCB}	-	16.4	22	
TPT7721							
Supply current - DC signal	$V_I = 0\text{ V}$ (TPT7721F)		I_{CCA}, I_{CCB}	-	1.9	2.9	mA
	$V_I = V_{CCi}$ (TPT7721)						
Supply current - AC signal	All channels switching with square wave clock input; $C_L = 15\text{ pF}$	1 Mbps	I_{CCA}, I_{CCB}	-	3.6	5.5	
		100 Mbps	I_{CCA}, I_{CCB}	-	11.6	19	

(1) Provided by bench test and design simulation.

(2) V_{CCi} is the VCC of V_I .

2-Channel Enhanced High-Performance Digital Isolator
Timing Specifications – 3.3-V Supply

All test condition is at $V_{CCA} = V_{CCB} = 3.3 \text{ V} \pm 10\%$, $T_A = -40^\circ\text{C}$ to $+125^\circ\text{C}$. Typical value is in $V_{CC} = 3.3 \text{ V}$, $T_A = +25^\circ\text{C}$, $C_L = 15 \text{ pF}$ to GND, unless otherwise noted.

Parameter		Conditions	Min	Typ	Max	Unit
f_{DATA}	Translation data rate		-	-	150	Mpbs
t_{PLH}	Propagation delay time		-	12.5	22	ns
t_{PHL}	Propagation delay time		-	12.2	22	ns
PWD	Pulse width distortion ⁽¹⁾ $ t_{\text{PHL}} - t_{\text{PLH}} $		-	0.3	5	ns
$t_{\text{sk(CC)}}$	Channel-to-channel output skew time ⁽¹⁾⁽²⁾	Same direction channels	-	-	2.5	ns
$t_{\text{sk(PP)}}$	Channel-to-channel output skew time ⁽¹⁾⁽²⁾	Same direction channels	-	-	4.5	ns
t_r	Output signal rise time ⁽¹⁾		-	0.7	4	ns
t_f	Output signal fall time ⁽¹⁾		-	0.7	4	ns
Jitter	Eye jitter p-p ⁽¹⁾	$f_{\text{data}} = 100 \text{ Mbps}$	-	340	-	ps
t_{DO}	Default output delay time from input power loss	Measured from the time VCC goes below 1.7 V	-	30	80	ns
t_{SU}	Setup time		-	28	80	μs
t_{ie}	Time interval error ⁽¹⁾	$2^{16} - 1$ PRBS data at 100 Mbps	-	2.4	-	ns

(1) Provided by bench test and design simulation.

(2) $t_{\text{sk(CC)}}$ & $t_{\text{sk(PP)}}$ is the skew of delay time between the different channels of a single device or different devices switching in the same direction while operating at identical supply voltages, temperature, input signals, and loads.

2-Channel Enhanced High-Performance Digital Isolator
Supply Current Characteristics – 3.3-V Supply

All test condition is at $V_{CCA} = V_{CCB} = 3.3 \text{ V} \pm 10\%$, $T_A = -40^\circ\text{C}$ to $+125^\circ\text{C}$. Typical value is in $V_{CC} = 3.3 \text{ V}$, $T_A = +25^\circ\text{C}$, $C_L = 15 \text{ pF}$ to GND, unless otherwise noted.

Parameter	Description	Supply Current	Min	Typ	Max	Unit					
TPT7720											
Supply current - DC signal	$V_I = 0 \text{ V}$ (TPT7720F)	I_{CCA}	-	0.92	1.54	mA					
	$V_I = V_{CC1}$ (TPT7720)	I_{CCB}	-	2.4	4.4						
	$V_I = V_{CC1}$ (TPT7720F)	I_{CCA}	-	8.2	10.84						
	$V_I = 0 \text{ V}$ (TPT7720)	I_{CCB}	-	2.1	4						
Supply current - AC signal	All channels switching with square wave clock input; $C_L = 15 \text{ pF}$	1 Mbps	I_{CCA}	-	4.3		6.4				
			I_{CCB}	-	2.3		4.3				
		10 Mbps	I_{CCA}	-	4.4		6.5				
			I_{CCB}	-	3.2		6.2				
		100 Mbps	I_{CCA}	-	5.5	8.2					
			I_{CCB}	-	11	18					
TPT7721											
Supply current - DC signal	$V_I = 0 \text{ V}$ (TPT7721F)	I_{CCA}, I_{CCB}	-	1.9	2.9	mA					
	$V_I = V_{CC1}$ (TPT7721)										
Supply current - AC signal	$V_I = V_{CC1}$ (TPT7721F)	I_{CCA}, I_{CCB}	-	5.2	7.5						
	$V_I = 0 \text{ V}$ (TPT7721)										
	All channels switching with square wave clock input; $C_L = 15 \text{ pF}$						1 Mbps	I_{CCA}, I_{CCB}	-	3.5	5.1
							10 Mbps	I_{CCA}, I_{CCB}	-	3.9	5.8
	100 Mbps	I_{CCA}, I_{CCB}	-	8.6	15.5						

(1) Provided by bench test and design simulation.

(2) V_{CC1} is the VCC of V_I .

2-Channel Enhanced High-Performance Digital Isolator
Timing Specifications – 2.5-V Supply

All test condition is at $V_{CCA} = V_{CCB} = 2.5\text{ V} \pm 10\%$, $T_A = -40^\circ\text{C}$ to $+125^\circ\text{C}$. Typical value is in $V_{CC} = 2.5\text{ V}$, $T_A = +25^\circ\text{C}$, $C_L = 15\text{ pF}$ to GND, unless otherwise noted.

Parameter		Conditions	Min	Typ	Max	Unit
f_{DATA}	Translation data rate		-	-	150	Mpbs
t_{PLH}	Propagation delay time		-	13.5	22	ns
t_{PHL}	Propagation delay time		-	12.2	22	ns
PWD	Pulse width distortion ⁽¹⁾ $ t_{PHL} - t_{PLH} $		-	1.3	5	ns
$t_{sk(CC)}$	Channel-to-channel output skew time ⁽¹⁾⁽²⁾	Same direction channels	-	-	2.5	ns
$t_{sk(PP)}$	Channel-to-channel output skew time ⁽¹⁾⁽²⁾	Same direction channels	-	-	4.5	ns
t_r	Output signal rise time ⁽¹⁾		-	0.7	4	ns
t_f	Output signal fall time ⁽¹⁾		-	0.7	4	ns
Jitter	Eye jitter p-p ⁽¹⁾	$f_{data} = 100\text{ Mbps}$	-	350	-	ps
t_{DO}	Default output delay time from input power loss	Measured from the time VCC goes below 1.7 V	-	30	80	ns
t_{SU}	Setup time		-	28	80	μs
t_{ie}	Time interval error ⁽¹⁾	$2^{16} - 1$ PRBS data at 100 Mbps	-	2.4	-	ns

(1) Provided by bench test and design simulation.

(2) $t_{sk(CC)}$ & $t_{sk(PP)}$ is the skew of delay time between different channels of a single device or different devices switching in the same direction while operating at identical supply voltages, temperature, input signals, and loads.

2-Channel Enhanced High-Performance Digital Isolator

Supply Current Characteristics – 2.5-V Supply

All test condition is at $V_{CCA} = V_{CCB} = 2.5\text{ V} \pm 10\%$, $T_A = -40^\circ\text{C}$ to $+125^\circ\text{C}$. Typical value is in $V_{CC} = 2.5\text{ V}$, $T_A = +25^\circ\text{C}$, $C_L = 15\text{ pF}$ to GND, unless otherwise noted.

Parameter	Description	Supply Current	Min	Typ	Max	Unit	
TPT7720							
Supply Current - DC Signal	$V_I = 0\text{ V}$ (TPT7720F)	I_{CCA}	-	1.54	2.0	mA	
	$V_I = V_{CC1}$ (TPT7720)	I_{CCB}	-	4.4	4.3		
	$V_I = V_{CC1}$ (TPT7720F)	I_{CCA}	-	10.8	11.8		
	$V_I = 0\text{ V}$ (TPT7720)	I_{CCB}	-	4	4.4		
Supply Current - AC Signal	All channels switching with square wave clock input; $C_L = 15\text{ pF}$	1 Mbps	I_{CCA}	-	4.3		5.9
			I_{CCB}	-	2.3		4.3
		10 Mbps	I_{CCA}	-	4.3		6.1
			I_{CCB}	-	3		6.2
		100 Mbps	I_{CCA}	-	4.6	6.2	
			I_{CCB}	-	8.9	12.5	
TPT7721							
Supply Current - DC Signal	$V_I = 0\text{ V}$ (TPT7721F)	I_{CCA}, I_{CCB}	-	1.9	2.9	mA	
	$V_I = V_{CC1}$ (TPT7721)						
Supply Current - AC Signal	All channels switching with square wave clock input; $C_L = 15\text{ pF}$	1 Mbps	I_{CCA} I_{CCB}	-	3.5		5.1
		100 Mbps	I_{CCA} I_{CCB}	-	7		10.5

(1) Provided by bench test and design simulation.

(2) V_{CC1} is the VCC of V_I .

Test Circuits and Waveforms

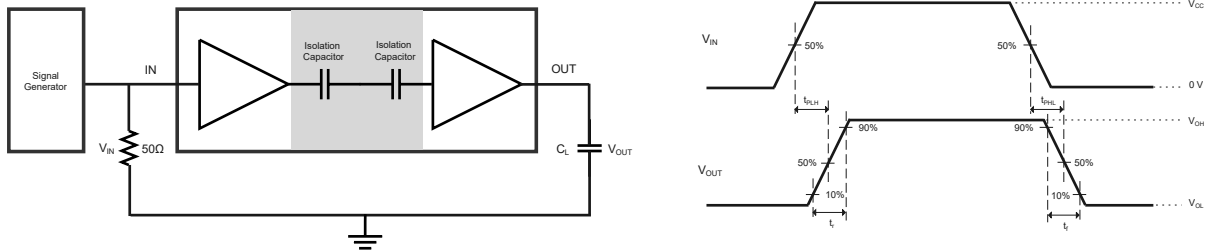


Figure 1. Switching Characteristics Test circuit and Waveforms

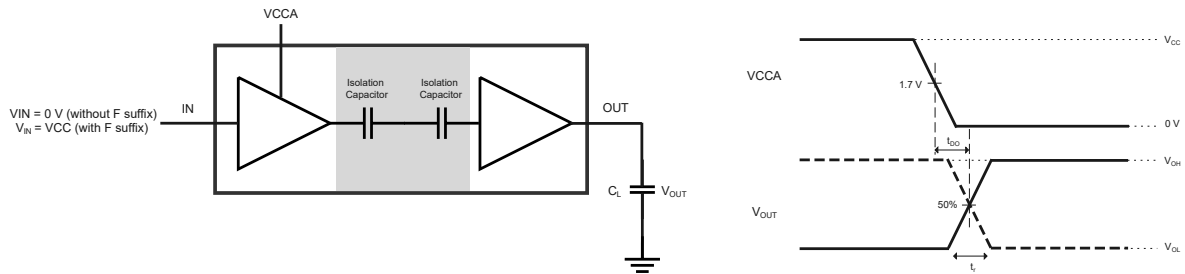


Figure 2. Default Output Delay Time Test Circuit and Voltage Waveforms

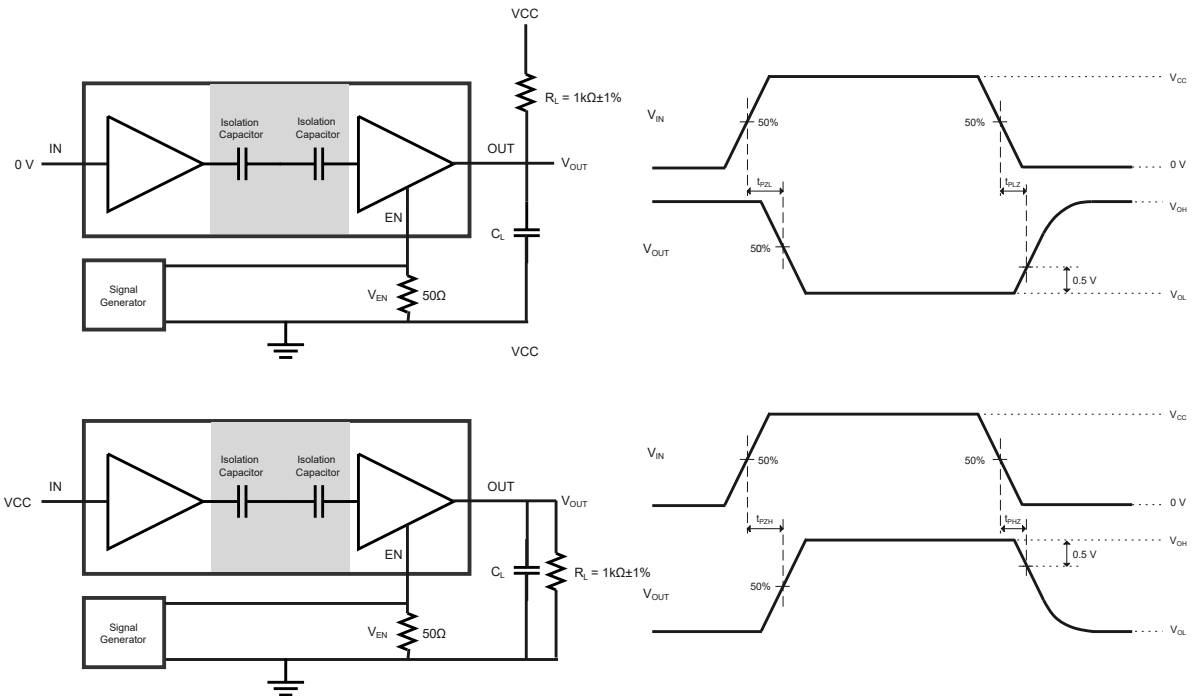


Figure 3. Enable/Disable propagation delay Test circuit and Waveforms

Detailed Description

Overview

The TPT772x family utilize an ON-OFF Keying (OOK) modulation circuit to transmit the digital data through the isolation barrier. The transmitter sends a RF carrier to represent digital state one and sends no signal to represent the digital state zero. The devices also utilize advanced circuit design to maximise CMTI performance and minimise radiated emissions. The block diagram below shows a functional block diagram of a typical channel.

Functional Block Diagram

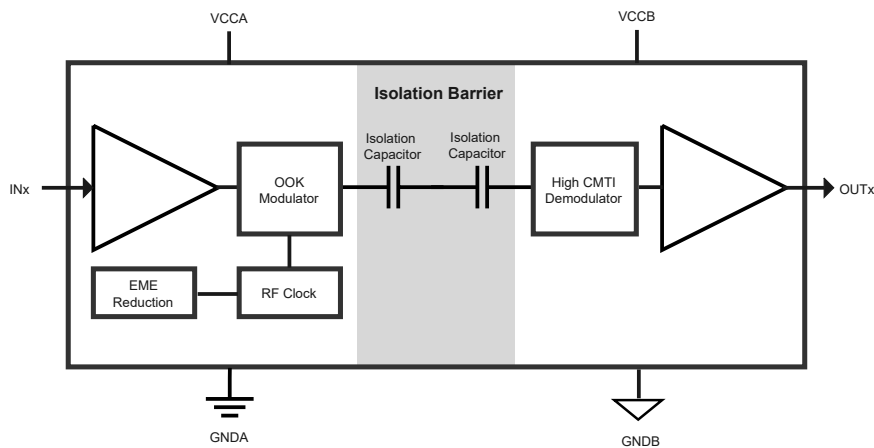


Figure 5. Block Diagram of Digital Capacitive Isolator

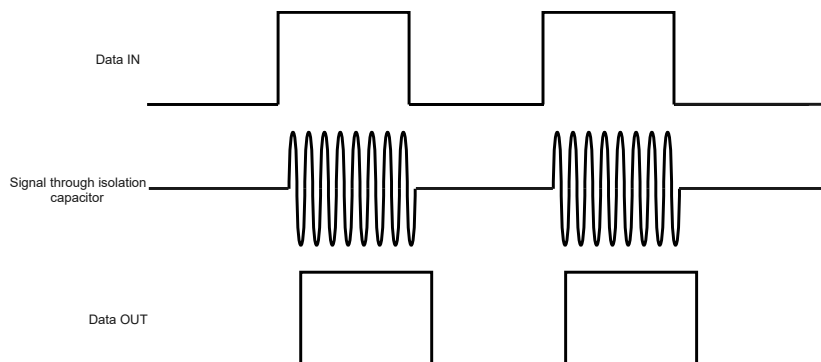


Figure 6. On-Off Keying (OOK) based Modulation Scheme

2-Channel Enhanced High-Performance Digital Isolator

Feature Description

The TPT772x family of devices is available in two-channel configurations and default output state options to enable a variety of application uses. The table below lists the device features of the TPT772x devices.

Part Number	Max Data Rate	Channel Direction	Default Output State	Package	Rating Isolation
TPT7720	150 Mbps	2 Forward, 0 Reverse	High	WSOP16	5000 V _{RMS} / 7070 V _{PK}
				WSOP8	5000 V _{RMS} / 7070 V _{PK}
				SOP8	3750 V _{RMS} / 5300 V _{PK}
TPT7720F	150 Mbps	2 Forward, 0 Reverse	Low	WSOP16	5000 V _{RMS} / 7070 V _{PK}
				WSOP8	5000 V _{RMS} / 7070 V _{PK}
				SOP8	3750 V _{RMS} / 5300 V _{PK}
TPT7721	150 Mbps	1 Forward, 1 Reverse	High	WSOP16	5000 V _{RMS} / 7070 V _{PK}
				WSOP8	5000 V _{RMS} / 7070 V _{PK}
				SOP8	3750 V _{RMS} / 5300 V _{PK}
TPT7721F	150 Mbps	1 Forward, 1 Reverse	Low	WSOP16	5000 V _{RMS} / 7070 V _{PK}
				WSOP8	5000 V _{RMS} / 7070 V _{PK}
				SOP8	3750 V _{RMS} / 5300 V _{PK}

Device Functional Modes

The table below lists the functional modes for the TPT772x devices.

VCC _I	VCC _O	Input (IN1, IN2)	Output (OUT1, OUT2)	Comments
Power up	Power up	High	High	Normal Operation
		Low	Low	
		Open	Default	Default mode. The default is High for TPT772x and Low for TPT772xF.
Power down	Power up	X	Default	Default mode: When VCC _I is unpowered, the default is High for TPT772x and Low for TPT772xF.
X	Power down	X	Undetermined	When VCC _O is unpowered, a channel output is undetermined.

(1) VCC_I = Input-side V_{CCA}; VCC_O = Output-side V_{CCB}; Powered up (V_{CC} ≥ 2.25 V); Powered down (V_{CC} ≤ 1.7 V); X = Irrelevant

(2) The outputs are in the undetermined state when 1.7 V < VCC_I, VCC_O < 2.25 V.

Application and Implementation

Note

Information in the following application sections is not part of the 3PEAK's component specification and 3PEAK does not warrant its accuracy or completeness. 3PEAK's customers are responsible for determining suitability of components for their purposes. Customers should validate and test their design implementation to confirm system functionality.

Typical Application

Figure 7 is the TPT772x typical application. The two external bypass capacitors need to be close to the VCC power pin. The maximum distance is 2 mm.

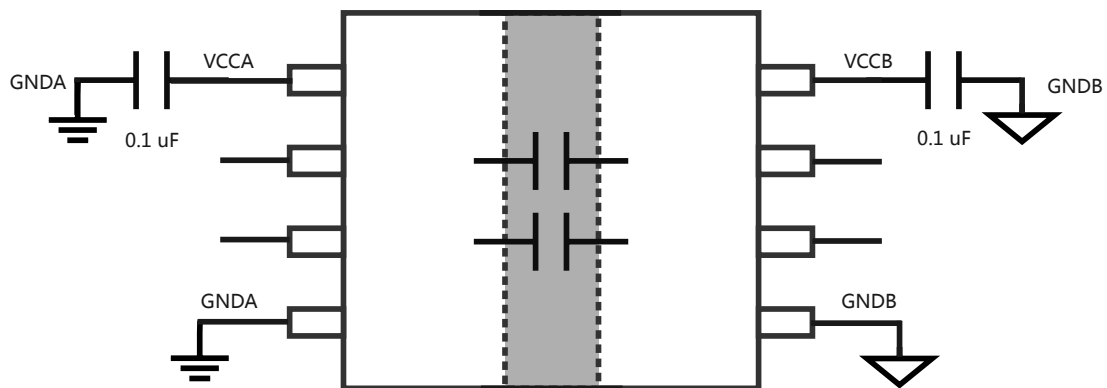
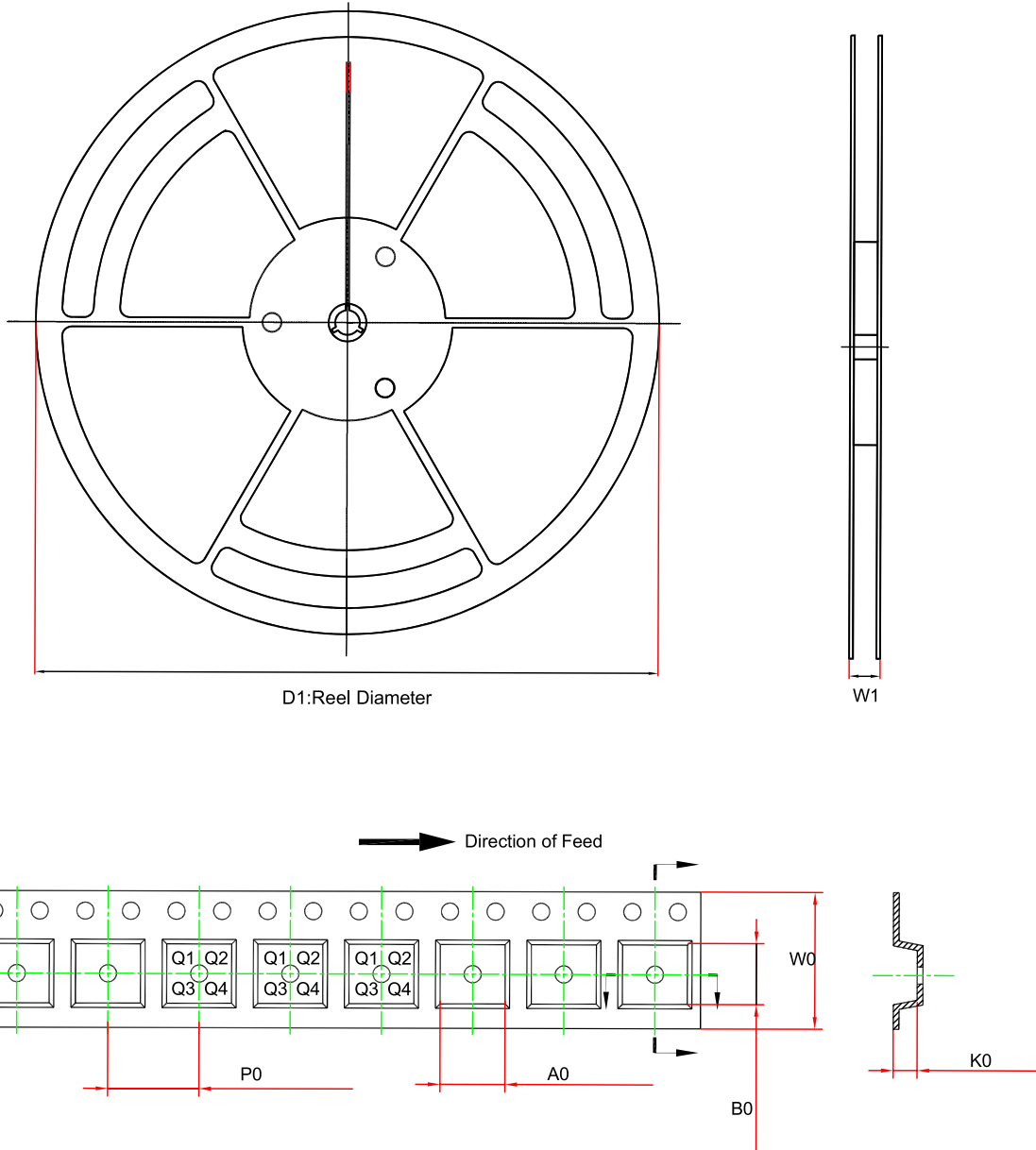


Figure 7. Typical Application

2-Channel Enhanced High-Performance Digital Isolator

Tape and Reel Information



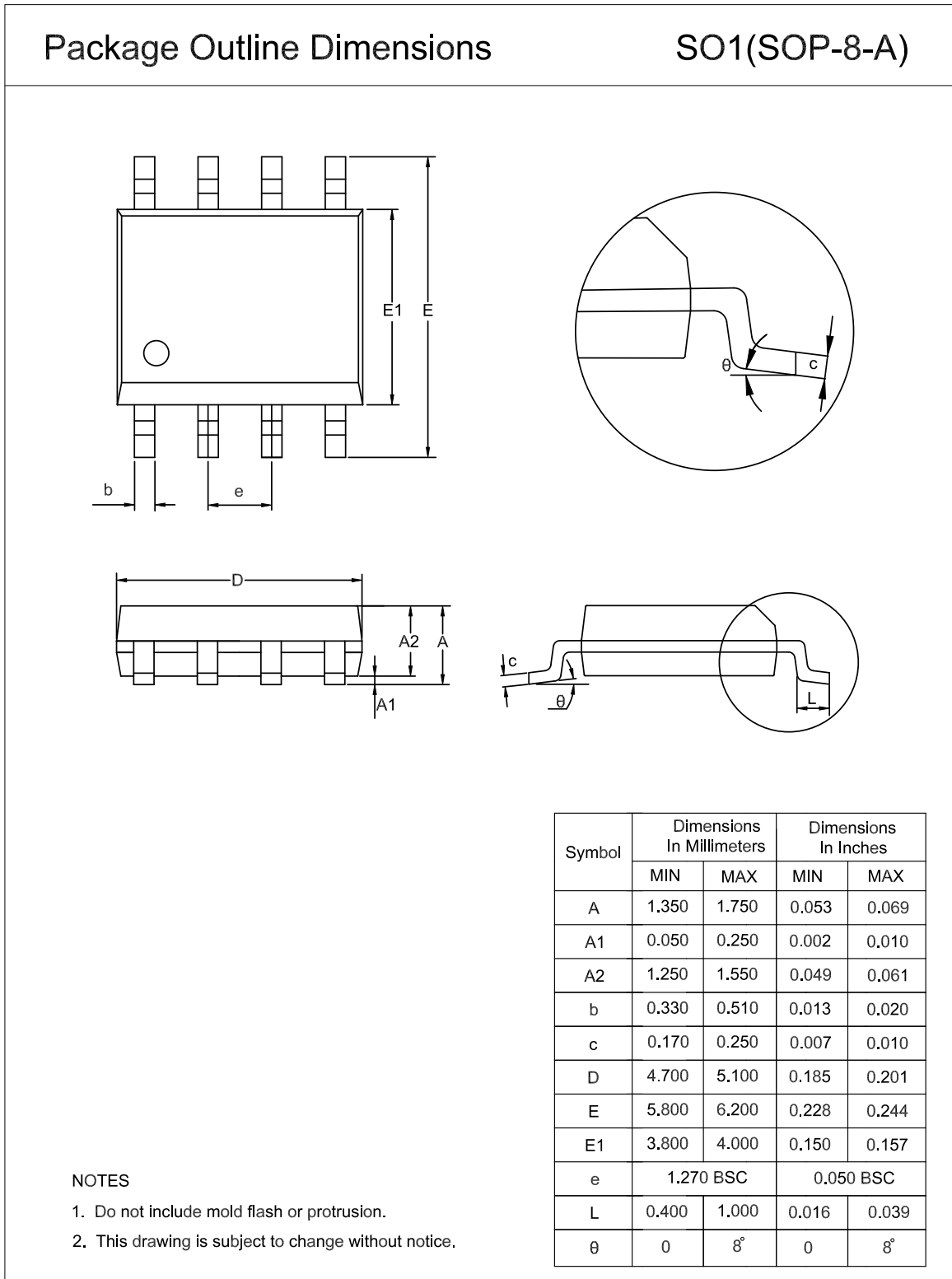
Order Number	Package	D1 (mm)	W1 (mm)	A0 (mm)	B0 (mm)	K0 (mm)	P0 (mm)	W0 (mm)	Pin1 Quadrant
TPT7720-SO1R	SOP8	330.0	17.6	6.4	5.4	2.1	8.0	12.0	Q1
TPT7720F-SO1R	SOP8	330.0	17.6	6.4	5.4	2.1	8.0	12.0	Q1
TPT7721-SO1R	SOP8	330.0	17.6	6.4	5.4	2.1	8.0	12.0	Q1
TPT7721F-SO1R	SOP8	330.0	17.6	6.4	5.4	2.1	8.0	12.0	Q1
TPT7720-SOAR	WSOP8	330.0	16.4	11.95	6.2	3.0	16.0	16.0	Q1
TPT7720F-SOAR	WSOP8	330.0	16.4	11.95	6.2	3.0	16.0	16.0	Q1
TPT7721-SOAR	WSOP8	330.0	16.4	11.95	6.2	3.0	16.0	16.0	Q1

2-Channel Enhanced High-Performance Digital Isolator

Order Number	Package	D1 (mm)	W1 (mm)	A0 (mm)	B0 (mm)	K0 (mm)	P0 (mm)	W0 (mm)	Pin1 Quadrant
TPT7721F-SOAR	WSOP8	330.0	16.4	11.95	6.2	3.0	16.0	16.0	Q1
TPT7720-SOBR	WSOP16	330.0	22.4	10.9	10.8	3.0	12.0	16.0	Q1
TPT7720F-SOBR	WSOP16	330.0	22.4	10.9	10.8	3.0	12.0	16.0	Q1
TPT7721-SOBR	WSOP16	330.0	22.4	10.9	10.8	3.0	12.0	16.0	Q1
TPT7721F-SOBR	WSOP16	330.0	22.4	10.9	10.8	3.0	12.0	16.0	Q1

Package Outline Dimensions

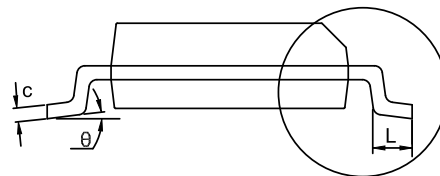
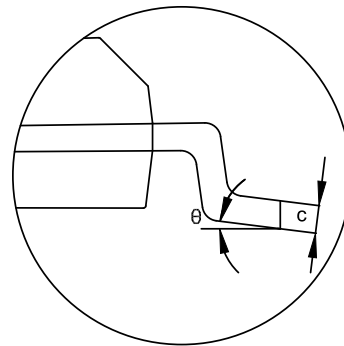
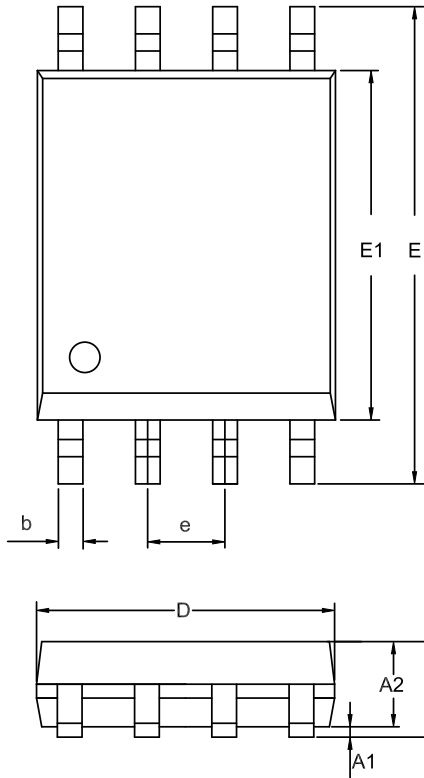
SOP8



WSOP8

Package Outline Dimensions

SOA(WSOP-8-B)



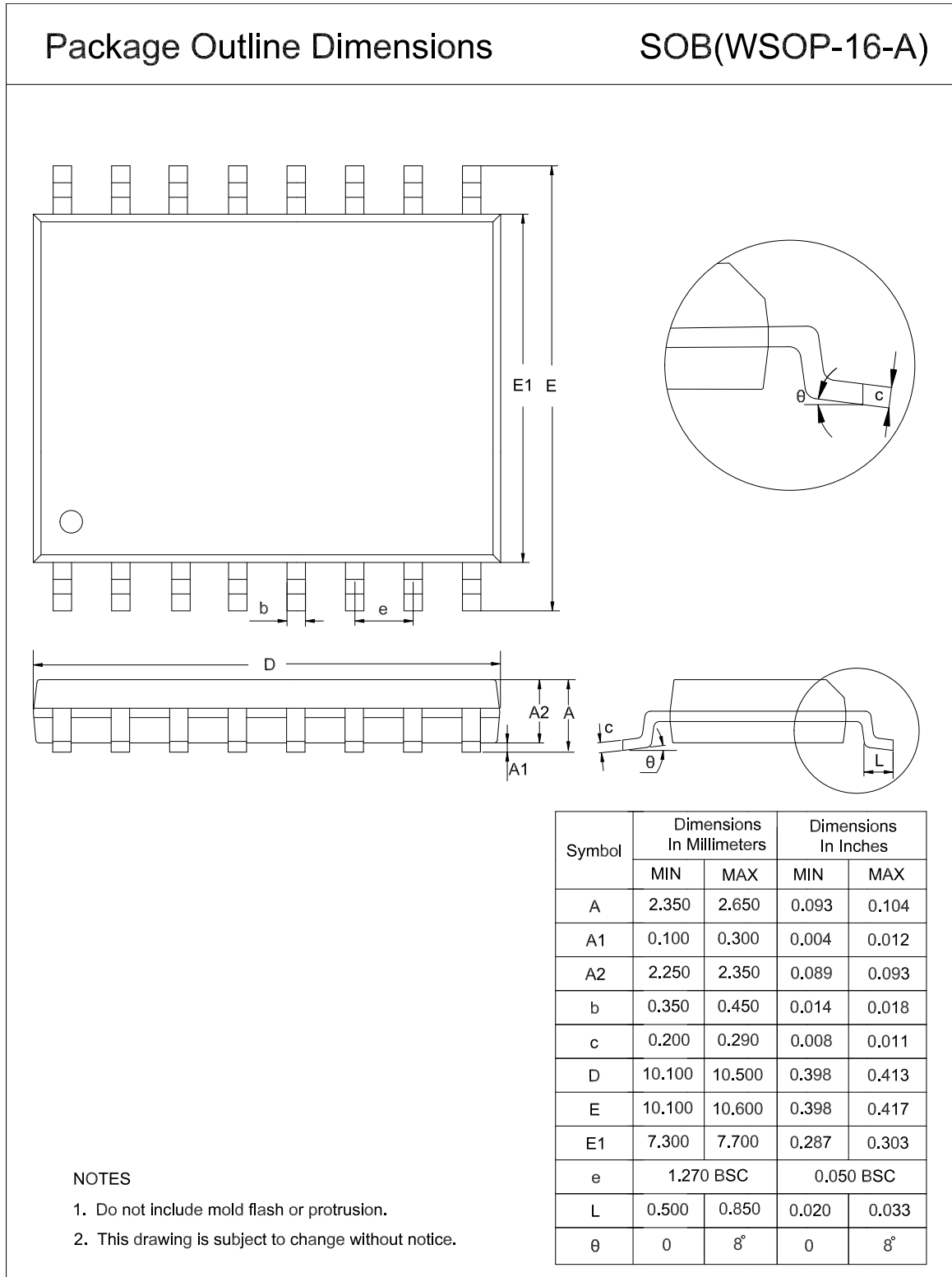
Symbol	Dimensions In Millimeters		Dimensions In Inches	
	MIN	MAX	MIN	MAX
A	2.350	2.650	0.093	0.104
A1	0.100	0.300	0.004	0.012
A2	2.250	2.350	0.089	0.093
b	0.310	0.510	0.012	0.020
c	0.150	0.300	0.006	0.012
D	5.750	5.950	0.226	0.234
E	11.250	11.750	0.443	0.463
E1	7.400	7.600	0.291	0.299
e	1.270 BSC		0.050 BSC	
L	0.500	1.000	0.020	0.039
θ	0	8°	0	8°

NOTES

1. Do not include mold flash or protrusion.
2. This drawing is subject to change without notice.

2-Channel Enhanced High-Performance Digital Isolator

WSOP16



2-Channel Enhanced High-Performance Digital Isolator
Order Information

Order Number	Operating Temperature Range	Package	Marking Information	MSL	Transport Media, Quantity	Eco Plan
TPT7720-SO1R	-40 to 125°C	SOP8	T7720	MSL3	Tape and Reel, 4000	Green
TPT7720F-SO1R	-40 to 125°C	SOP8	7720F	MSL3	Tape and Reel, 4000	Green
TPT7721-SO1R	-40 to 125°C	SOP8	T7721	MSL3	Tape and Reel, 4000	Green
TPT7721F-SO1R	-40 to 125°C	SOP8	7721F	MSL3	Tape and Reel, 4000	Green
TPT7720-SOAR	-40 to 125°C	WSOP8	T7720	MSL3	Tape and Reel, 1000	Green
TPT7720F-SOAR	-40 to 125°C	WSOP8	7720F	MSL3	Tape and Reel, 1000	Green
TPT7721-SOAR	-40 to 125°C	WSOP8	T7721	MSL3	Tape and Reel, 1000	Green
TPT7721F-SOAR	-40 to 125°C	WSOP8	7721F	MSL3	Tape and Reel, 1000	Green
TPT7720-SOBR	-40 to 125°C	WSOP16	T7720	MSL3	Tape and Reel, 1500	Green
TPT7720F-SOBR	-40 to 125°C	WSOP16	7720F	MSL3	Tape and Reel, 1500	Green
TPT7721-SOBR	-40 to 125°C	WSOP16	T7721	MSL3	Tape and Reel, 1500	Green
TPT7721F-SOBR	-40 to 125°C	WSOP16	7721F	MSL3	Tape and Reel, 1500	Green

Green: 3PEAK defines "Green" to mean RoHS compatible and free of halogen substances.

IMPORTANT NOTICE AND DISCLAIMER

Copyright© 3PEAK 2012-2023. All rights reserved.

Trademarks. Any of the 思瑞浦 or 3PEAK trade names, trademarks, graphic marks, and domain names contained in this document /material are the property of 3PEAK. You may NOT reproduce, modify, publish, transmit or distribute any Trademark without the prior written consent of 3PEAK.

Performance Information. Performance tests or performance range contained in this document/material are either results of design simulation or actual tests conducted under designated testing environment. Any variation in testing environment or simulation environment, including but not limited to testing method, testing process or testing temperature, may affect actual performance of the product.

Disclaimer. 3PEAK provides technical and reliability data (including data sheets), design resources (including reference designs), application or other design recommendations, networking tools, security information and other resources "As Is". 3PEAK makes no warranty as to the absence of defects, and makes no warranties of any kind, express or implied, including without limitation, implied warranties as to merchantability, fitness for a particular purpose or non-infringement of any third-party's intellectual property rights. Unless otherwise specified in writing, products supplied by 3PEAK are not designed to be used in any life-threatening scenarios, including critical medical applications, automotive safety-critical systems, aviation, aerospace, or any situations where failure could result in bodily harm, loss of life, or significant property damage. 3PEAK disclaims all liability for any such unauthorized use.

This page intentionally left blank